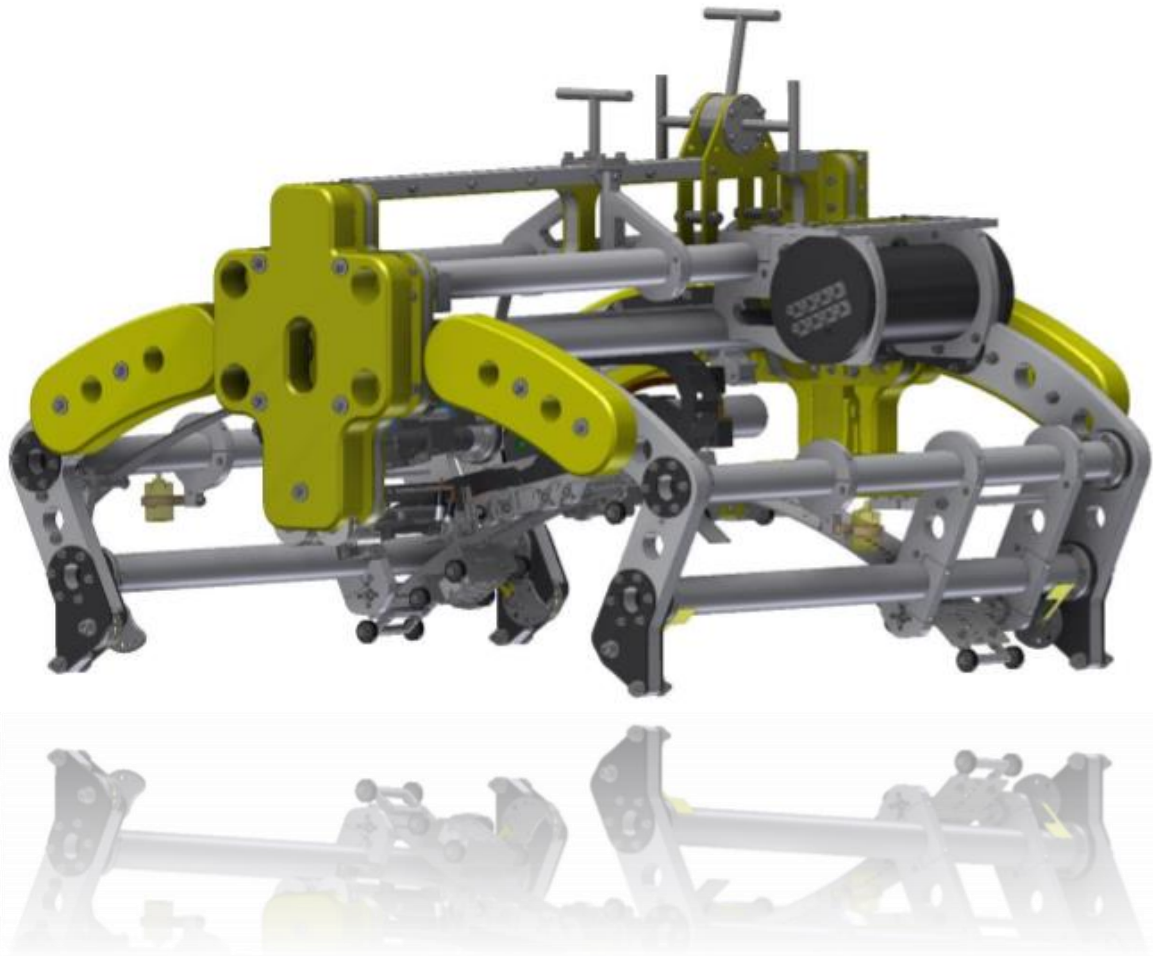


Access Window Scanner



- **Weight:** 80kg
- **Weight in Water:** 23kg
- **Dims:** 720mm x 1180mm x 1280mm (H, W, L)
- **Depth Rating:** 600m Standard (Enquire about deeper depths)
- **Operating Temperature:** -10°C to +40°C
- **Max OD:** 71"
- **Min OD:** 31.5"
- **Scan Speed:** 500mm x 250mm takes 6mins, 40 seconds (10mm step x 1 raster stroke)
- **Positioning:** All axis encoded
- **Maximum x-axis velocity:** 40 mm/sec (Max distance: 400mm)
- **Maximum y-axis velocity:** 40 mm/sec (Max distance: 500mm)
- **Umbilical length:** 10m interface cable (ROV to Control POD) supplied
- **UT Measurement Configurable for:**
 - Zero Degree
 - ToFD
 - DRS
 - Angle Shear Wave
- **Data Communication:** 100MBit Ethernet over STP (copper) cable
- **Control POD Power Supply:** 24VDC/200W (36VDC option)
- **Attachment Method:** Magnetic feet/wheels, Attraction Force \approx 180Kg
- **Additional Options:** ACFM, Lights and Cameras

General Features

- Multiple inspection techniques on one scanning head possible
- Inspection head has motorized X, Y and rotating head feature
- Motorized adjustable probe PCS option
- Probe garaging for safe deployment
- Target area can be mapped, and inspection head trained to follow specific features (i.e. a weld)
- Live data collection
- Fully automated scanning
- Multiple UT channels
- Automatically self-adjust to any diameter within its range (no need to recover tool for adjustment)
- Inclinometer can be used for vertical reference
- Software adjustable targeting view from an onboard camera to aid deployment
- Contact indicators
- Depth measurement
- Various handles/grips for safe and easy ROV handling (Options include: T- Handle, D-Handle and

Dimensions

