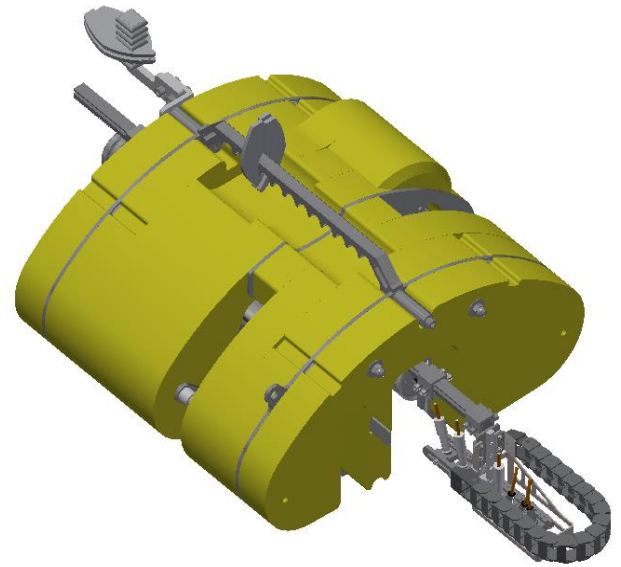
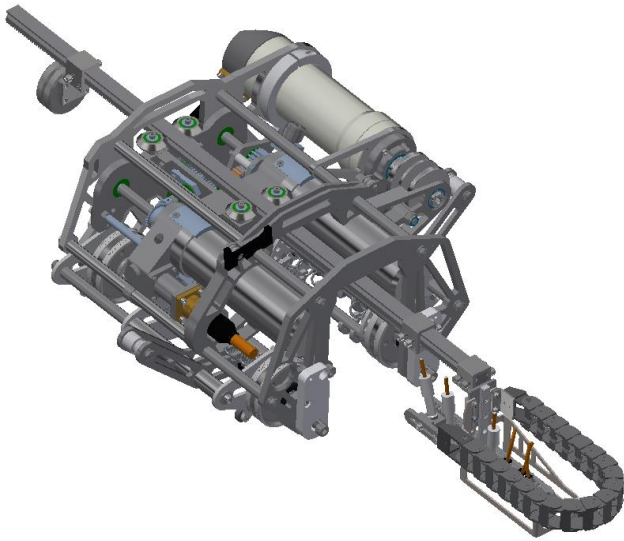


MAG-Nautilus II



- **Weight:** 31kg (with Buoyancy)
- **Weight in Water:** Neutral (with Buoyancy)
- **Dimensions:** 310mm x 505mm x 900mm (H, W, L)
- **Depth Rating:** 250m Standard (Enquire about deeper depths)
- **Operating Temperature:** -10°C to +50°C
- **Max OD:** Flat
- **Min OD:** Ask for details
- **Positioning:** All axis encoded
- **Umbilical length (ROV to Tool):** 10m / 250m

- **UT Measurement Configurable for:**
 - Zero Degree
 - ToFD
 - Angle Shear Wave
 - DRS
 - Phased Array
- **Data Communication:** Analogue over 250m umbilical (diver deployed), 100MBit Ethernet over 10m STP (copper) cable (ROV Deployed)
- **Control POD Power Supply:** 24VDC
- **Attachment Method:** Permanent Magnetic Wheels. Attraction Force \approx 40Kg
- **Additional Options:** ACFM

General Features

- Probe garaging for probe protection
- ROV or Diver Deployed
- Can be fully integrated to ROV or separately supplied
- Lever mechanism for minimum effort removal of tool
- Various scan arm lengths (up to 1m)
- Gimbaling probe assembly to ensure good contact on undulating surfaces
- Live data collection
- Fully automated scanning
- Rugged and compact design for tight access areas
- Multiple manipulator grab-point options

Dimensions

