

# Tank Floor Scanner – Electric



- **Weight:** 85kg
- **Weight in Water:** 63kg
- **Dims:** 350mm x 445mm x 1100mm (H, W, L)
- **Wheel Centers:** 400mm x 400mm
- **Depth Rating:** 50m standard (enquire about deeper depths)
- **Hazardous Areas:** With a pressure monitored purged system could be qualified for CLASS 1 DIV. I or CLASS 1 DIV. II
- **Operating Temperature:** -10°C to +35°C
- **Scan Speed:** 150mm/sec (160mm dia wheel) 234mm/sec Max (250mm dia wheel)
- **Positioning feedback:** Pinger & Sonar plus internal & external encoding
- **Positioning Control:** Steerable by 4-wheel drive units
- **Traction:** 4WD chemical resistant "Besthane" Polyurethane tyres - 160mm dia. (250mm dia option for higher speeds)
- **Driving force:** Calculated at wheel contact point 350N per 160mm dia wheel (250N per 250mm dia wheel version)
- **Umbilical length (Control Station to Tool):** 120m interface cable (Control Station to Control POD) supplied as standard
- **UT Measurement Channels: 8 inputs –** Configurable for:
  - Zero Degree
  - ToFD
  - Angle Shear Wave
- **Data Communication:** GBit Ethernet over Fibre Optic Cable
- **Control POD Power Supply:** 48VDC/450W  
**Attachment Method:** Gravity – Scanner weight
- **Additional Options:** 250mm wheel version for higher speeds. DRS, ACFM, Lights, Cameras (PTZ), Pressure measurement.

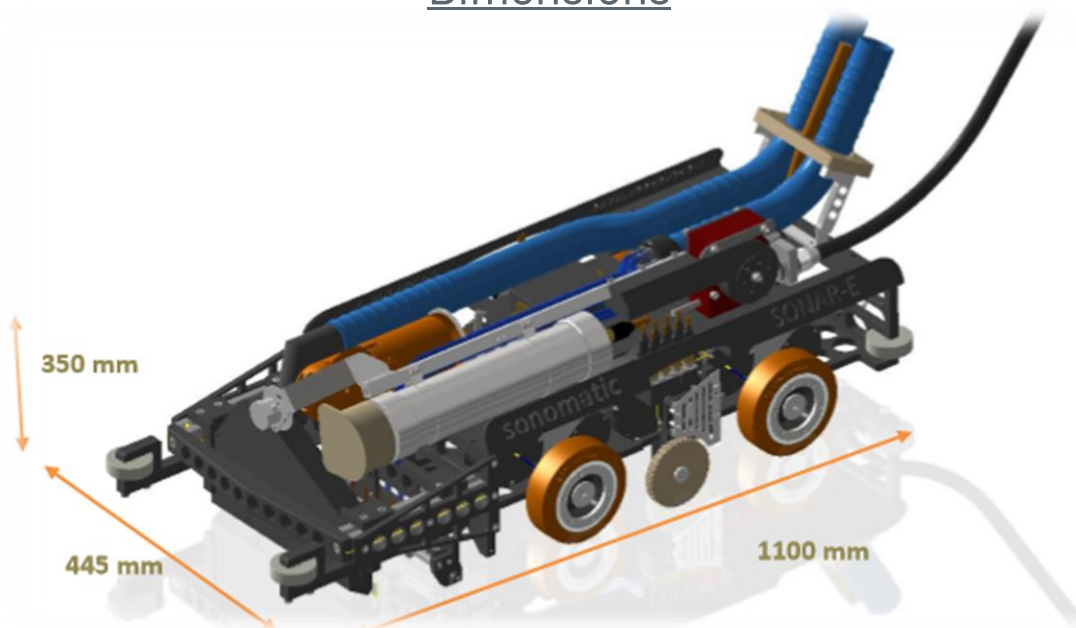
# Tank Floor Scanner – Electric



## General Features

- Joystick control
- Live data collection
- Fully manual (Joystick) and automated scanning
- Rugged and compact design for tight access areas
- Control Station includes Laptop, auxiliary screen for cameras, in-built joystick
- Retracting mechanical operated Sonar & Pinger boom with built-in fail-safe retraction
- External encoder.
- Internal temperature monitoring
- Adjustable & repositionable surface jet spray for cleaner probe performance
- Debris wiper for cleaner probe performance
- Adjustable Probe Alignment
- Adjustable Probe standoff
- Individual probe separation adjustment & offset capability
- Wheel scraper to prevent debris build-up on wheels
- Viton seals fitted to all sealed components
- Replaceable tire for servicing or material specification changes
- Designed for a 20" inside diameter manway access

## Dimensions

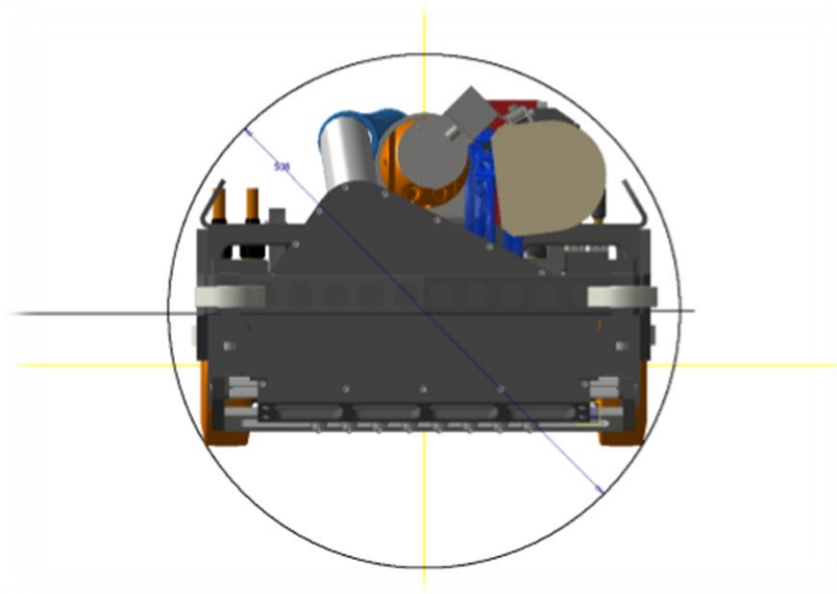


# Tank Floor Scanner – Electric



## Additional Information

20" Inside Manway Access (160mm Wheel Version)



Larger 250mm Wheel Version for Higher Speeds

